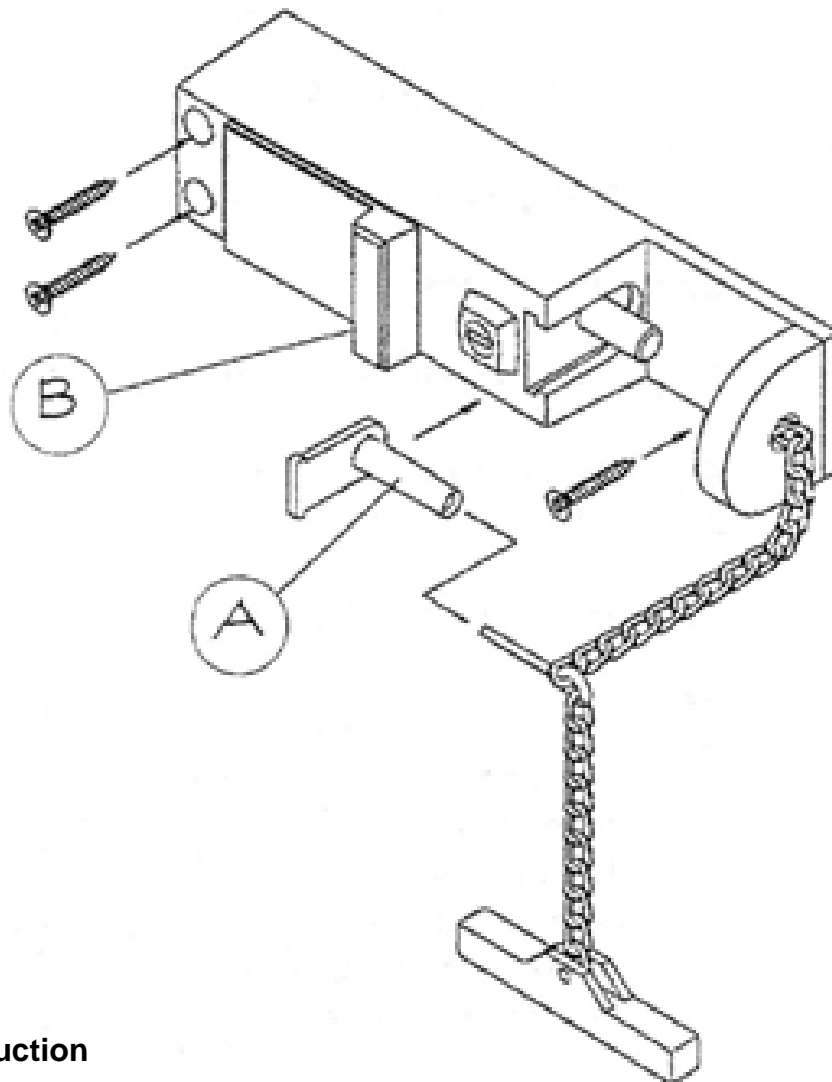


# KINGPIN

## EMERGENCY ESCAPE BOLT

### USER INSTRUCTIONS

(to be retained by the person responsible for fire safety)



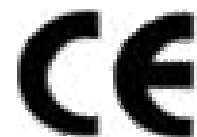
#### Introduction

Kingpin is a robust security bolt that is easily released for exit in an emergency. It requires no day-to-day maintenance other than a visual check that the door remains secure.

NB. Fire escape doors are susceptible to casual and unauthorised use and should be checked daily to ensure security.

## EMEXCO LIMITED

Unit 3, Dial Close, Seend,  
Melksham, Wiltshire. SN12 6NP  
United Kingdom  
Tel. 00 44 (0) 1380 828900  
Fax. 00 44 (0) 1380 828999



1121-CPD  
ETA 04/0051

# KINGPIN

## EMERGENCY ESCAPE BOLT

### Commissioning

Following installation it is vital that users of the building are aware of the means of operation of all emergency exit devices and all escape routes. We recommend therefore that the operation of Kingpin forms part of Induction Training and that their use is included in Statutory Fire Drills, in order to ensure familiarity with the means of escape.

### Use in an Emergency

A breakable black plastic insert (A) holds the bolt shoot (B) in the secured position. A sharp pull on the handle breaks the plastic insert, allowing the sprung bolt shoot to retract and thus release the door. The supplied pictogram label fixed adjacent to the bolt provides guidance in an emergency to anyone unfamiliar with Kingpin.

### Securing the door after use.

Kingpin is designed to allow resetting only by an authorised person, the keyholder. This prevents the bolt shoot being reset in an unsafe way and provides an added control against unauthorised use.

1. Insert the key and turn clockwise through 90 degrees. This allows free movement of the bolt shoot and release the retained part of the breakable insert.
2. Push the bolt shoot towards the secure position using the slider and remove the broken insert. Remove the other part of the insert retained on the chain.
3. Fix a new insert onto the split pin attached to the chain. With the door closed, move the bolt shoot to the secured position using the slider and ease the insert into the slot curved end first. Ensure that the insert is fully home before relocking with the key. If resistance is felt on the key, recheck that the insert is fully into its slot.
4. The door is now secure.

## EMEXCO LIMITED

Unit 3, Dial Close, Seend,  
Melksham, Wiltshire. SN12 6NP  
United Kingdom  
Tel. 00 44 (0) 1380 828900  
Fax. 00 44 (0) 1380 828999

  
1121-CPD  
ETA 04/0051

# KINGPIN

## EMERGENCY ESCAPE BOLT

### Routine Maintenance

It is highly desirable that routine checks on the operation of your Kingpin Bolts be included in your six monthly fire equipment maintenance schedule.

The bolt must be released at least once every six months to ensure that the bolt shoot retracts easily. If it is found that there is excessive resistance, such that the bolt shoot is reluctant to retract under the force of the spring:

i) Check that the bolt shoot is correctly aligned with the hole in the keep. Incorrect alignment can be due to the door dropping on its hinges, door or frame warping due to damp, heat or old age or incorrect installation.

**REMEDY:** Determine that cause and ensure that the necessary work is undertaken to rectify the fault.

ii) Check that the bolt shoot slides freely within the bolt and moves readily under the force of the internal spring. Poor movement of the bolt shoot can be due to a long term build up of dust etc within the bolt or deposits on the bolt shoot.

**REMEDY:** It is rare that the build up of contaminant cannot be overcome by a proprietary lubrication spray applied to the bolt shoot and or the internals of the bolt. In severe cases, remove the bolt from the door and clean internally.

### NB. Alarmed Bolts Only:

The operation of the alarm must be checked at least six monthly and the battery changed every two years. Access to the battery is gained by removing the plastic insert (A), releasing the slider (B) revealing two screws. Remove these and the single screw at the heel of the bolt and carefully remove the body. The battery can now be replaced, taking care to avoid damaging the circuit board and wire connections.

## EMEXCO LIMITED

Unit 3, Dial Close, Seend,  
Melksham, Wiltshire. SN12 6NP  
United Kingdom  
Tel. 00 44 (0) 1380 828900  
Fax. 00 44 (0) 1380 828999

  
1121-CPD  
ETA 04/0051

# KINGPIN

## EMERGENCY ESCAPE BOLT

### Spares

The black plastic insert is not designed to be reusable and it is good practise to ensure that the keyholder keeps a supply to hand. These are available in packs of 10 through your supplier or direct from EMEXCO Ltd.

It is recommended that the key number(s) of your Kingpin bolts are recorded here to enable replacement in case of loss:

KEY NUMBER.....

All other components have a long life but spares are available from EMEXCO Ltd if necessary. Please note that our telephone number appears on each bolt.

### EMEXCO LIMITED

Unit 3, Dial Close, Seend,  
Melksham, Wiltshire. SN12 6NP  
United Kingdom  
Tel. 00 44 (0) 1380 828900  
Fax. 00 44 (0) 1380 828999

